

# QUBI COMPACT SHOWER SET



WELS: 3 Star 9L/min  
 WELS Reg No: S14373  
 Pressure Rating: Min 150KPa - Max 500KPa  
 Temperature Rating: Min 1°C - Max 75°C



Chrome  
TP 1019



Brushed Nickel  
TP 1019BN



Brushed Brass  
TP 1019BB

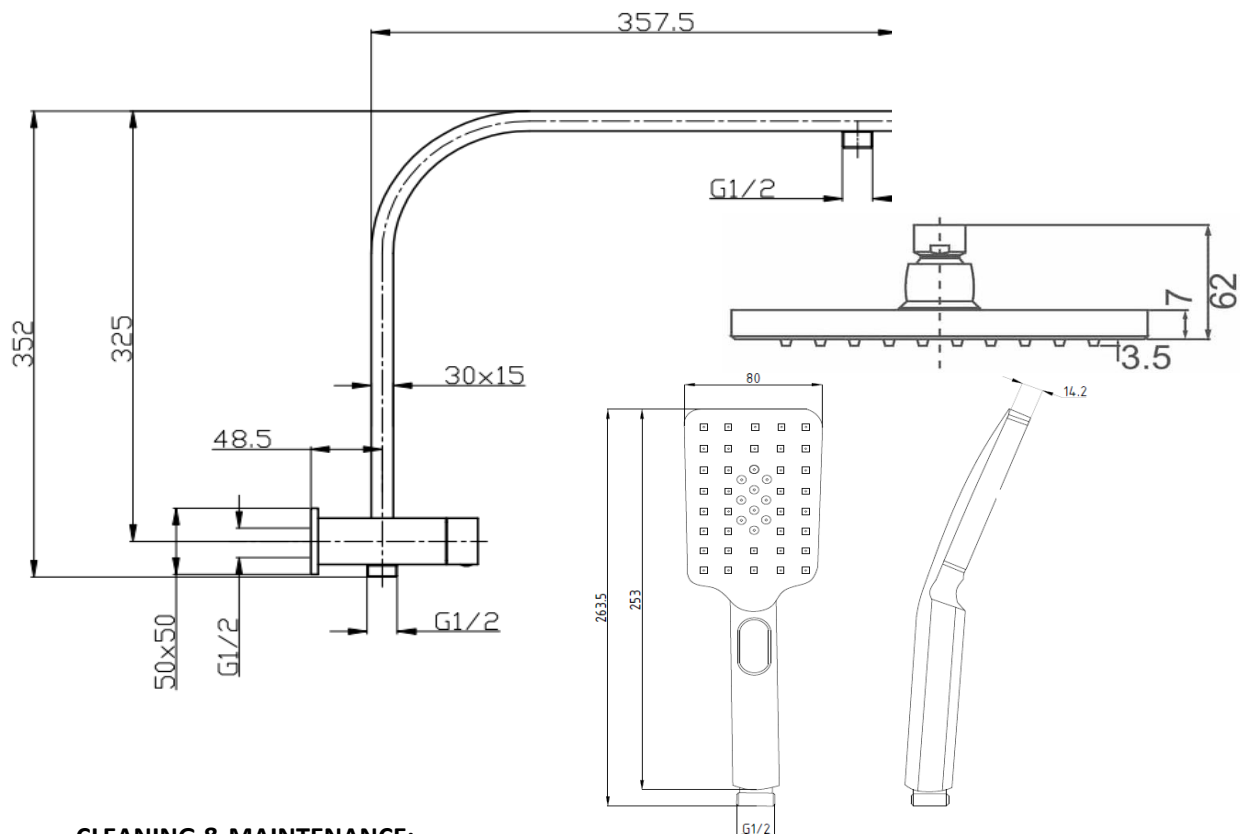


Gun Metal  
TP 1019GM



Matte Black  
TP 1019BK

SPECIFICATIONS



## CLEANING & MAINTENANCE:

Shower Rails should be cleaned with mild detergent and water  
 All Products must be cleaned with a soft cloth with soapy water, avoid waxes, solvents, abrasives, acids and other chemical based cleaners  
 Warranty will be void if damages are caused by unsuitable cleaning products

## WARRANTY INFORMATION:

**5 years** PVD finishes (purchased after 01/01/2026)  
**1 year** non-PVD finishes  
**1 year** parts & labour  
**Note:** Hoses, slides, wall fixings, brackets: **1 year**

**ZENMO**  
 Zen-inspired, Modern Living

**ADDRESS:** 42 Castro Way, Derrimut VIC 3026  
**PHONE:** (03) 8390 6300  
**OFFICE:** ect\_sales@outlook.com  
**SERVICE:** ect\_service@outlook.com  
**WEBSITE:** www.zenmo.com.au